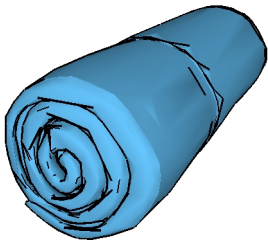
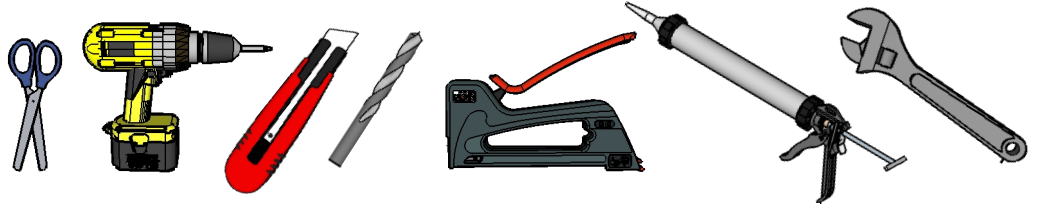


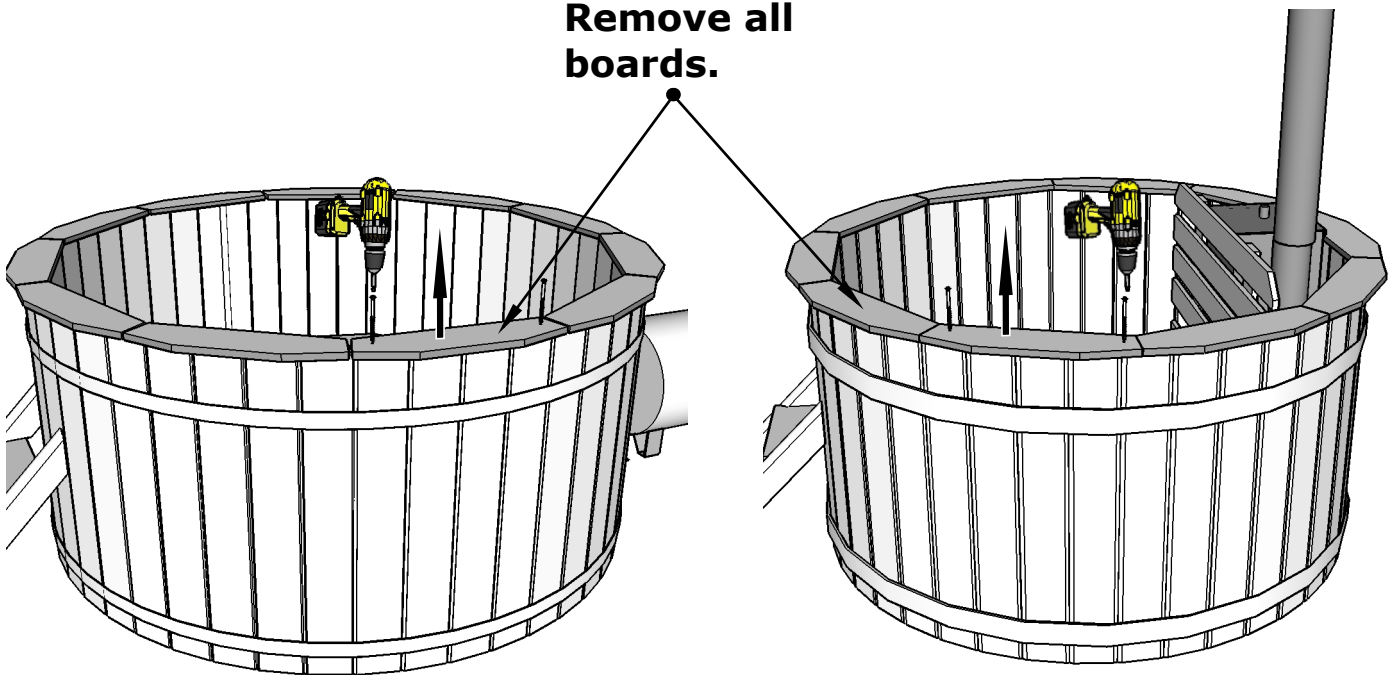
Internal PVC installation!



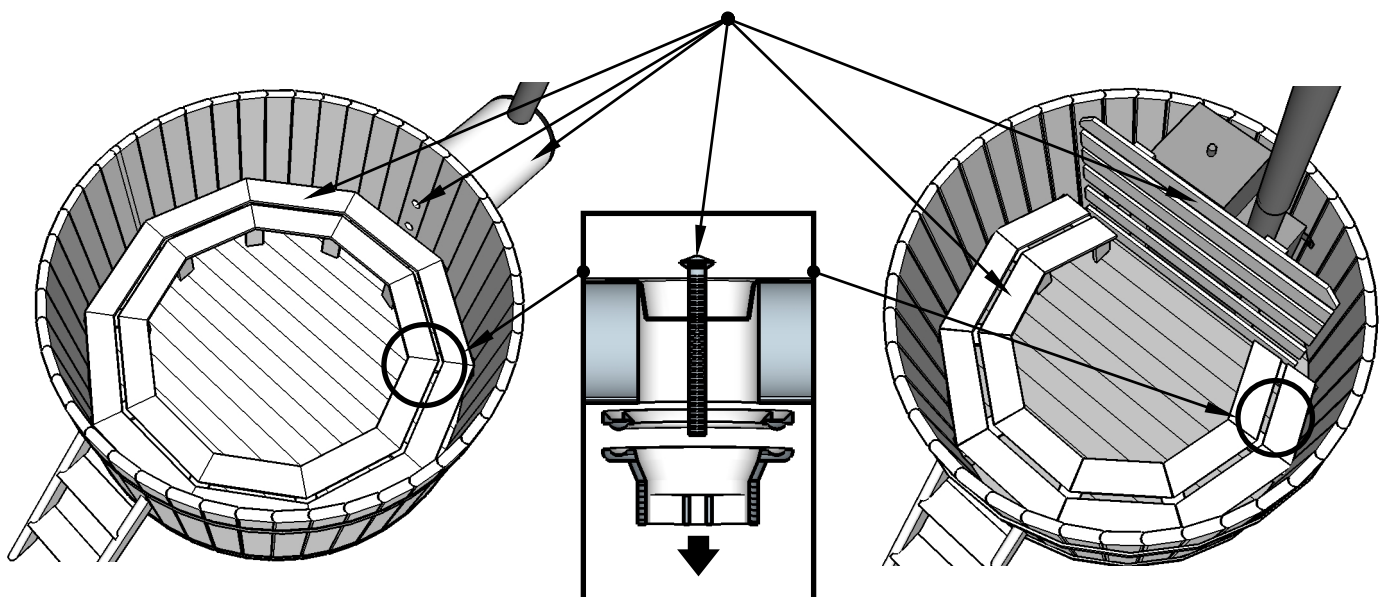
Required tools!



Remove all boards.

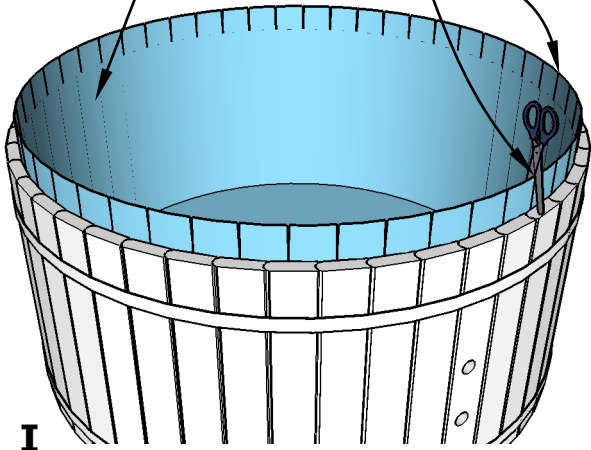


Remove seats, water inlets, outlets and heater.



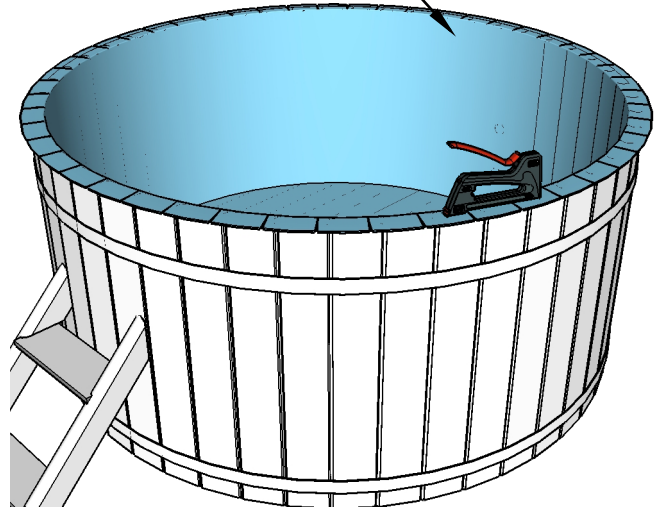
Place PVC inside tube.

Cut sections



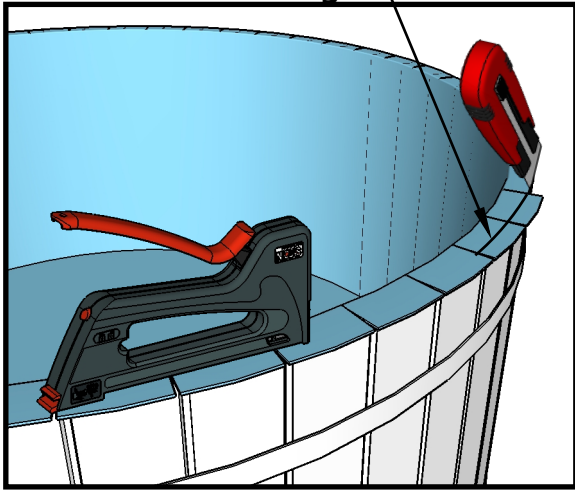
I

Fold edge and fasten with staples.

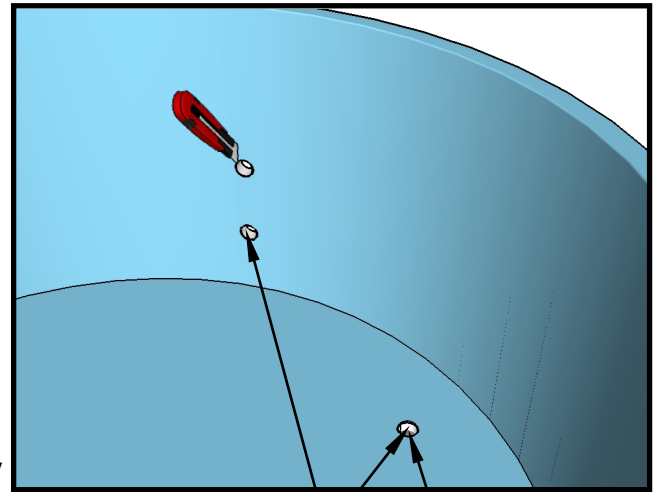


II

Cut off the parts that extend over the edge.



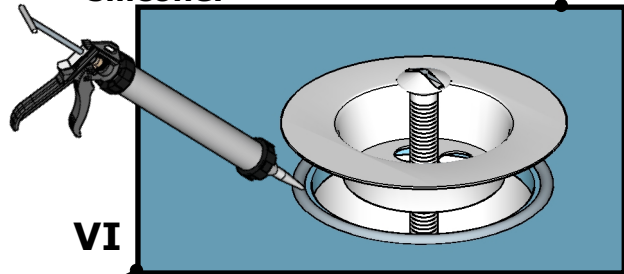
III



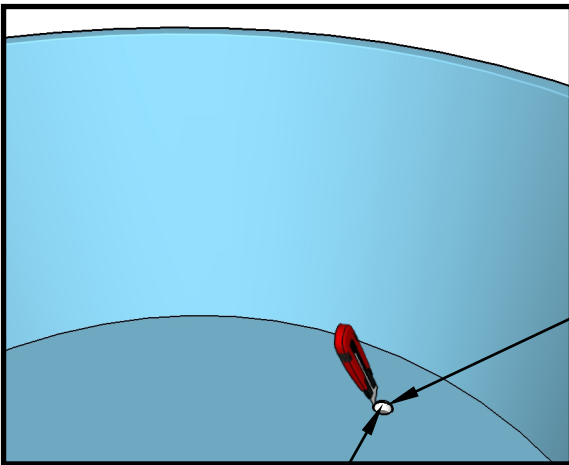
IV

Cut openings (outside heater)

Use water resistant silicone.

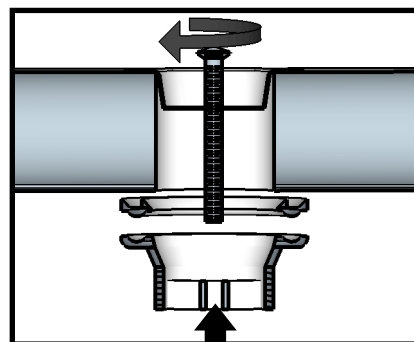


VI



V

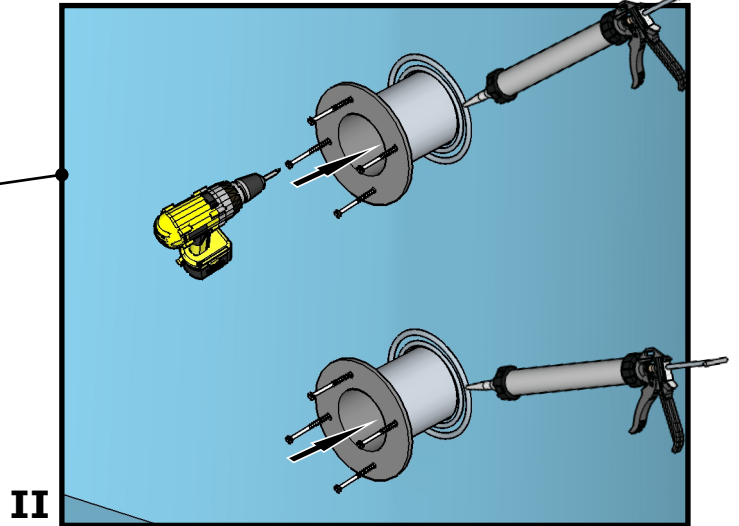
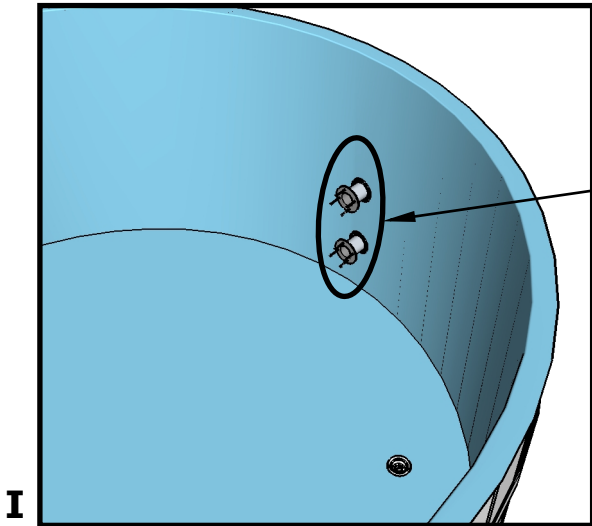
Cut opening (inside heater)



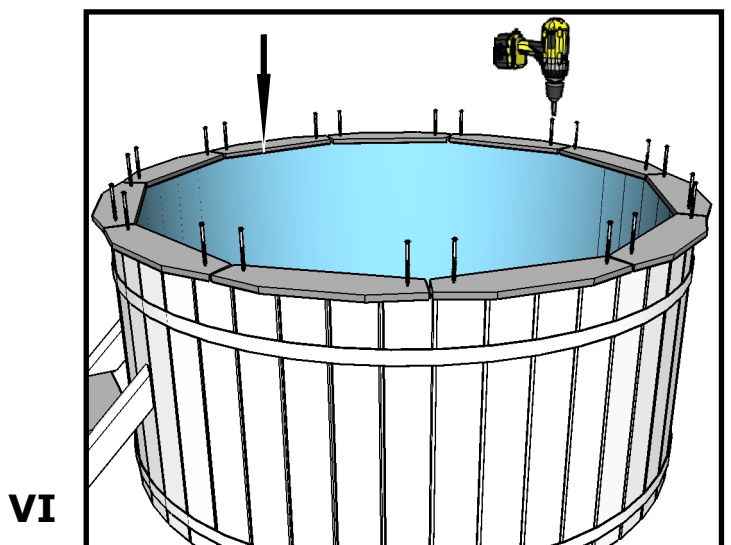
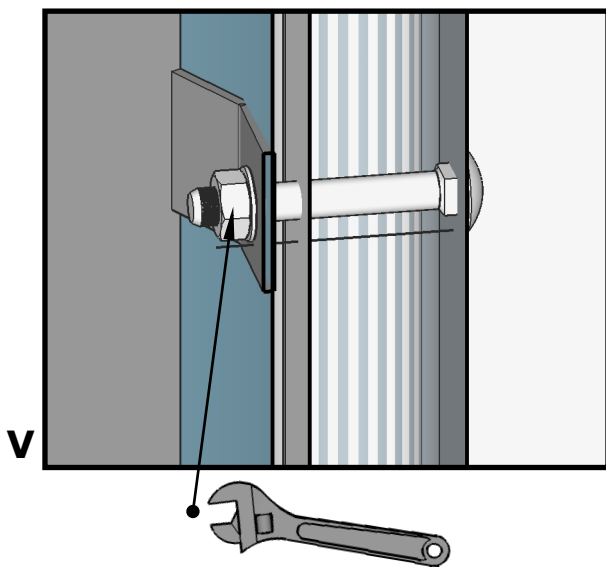
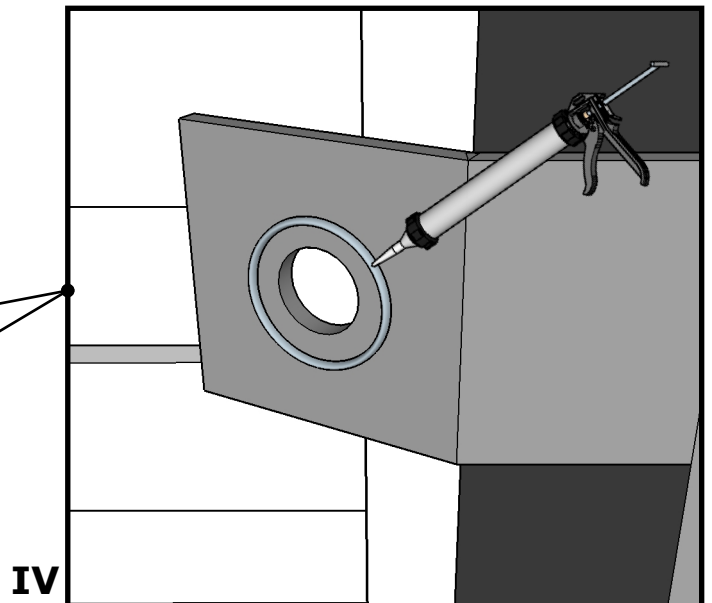
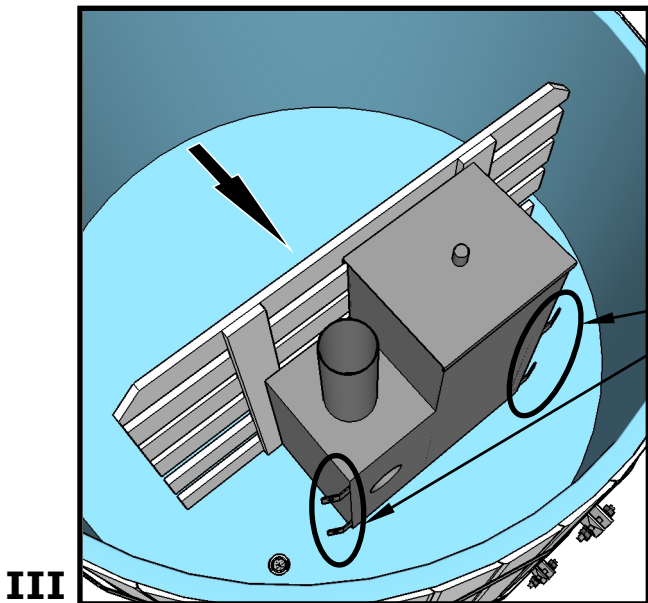
VII

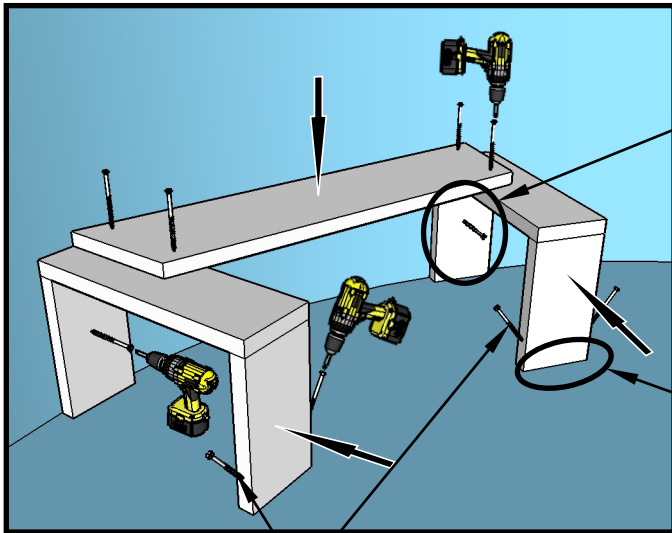
2.

Outside heater.



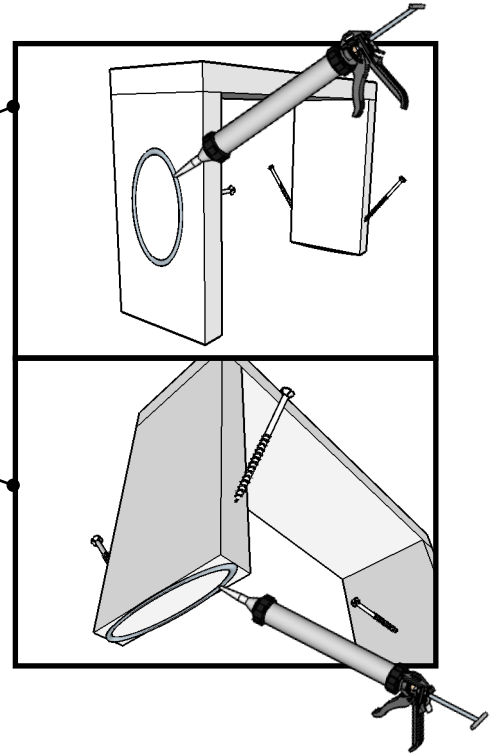
Inside heater.





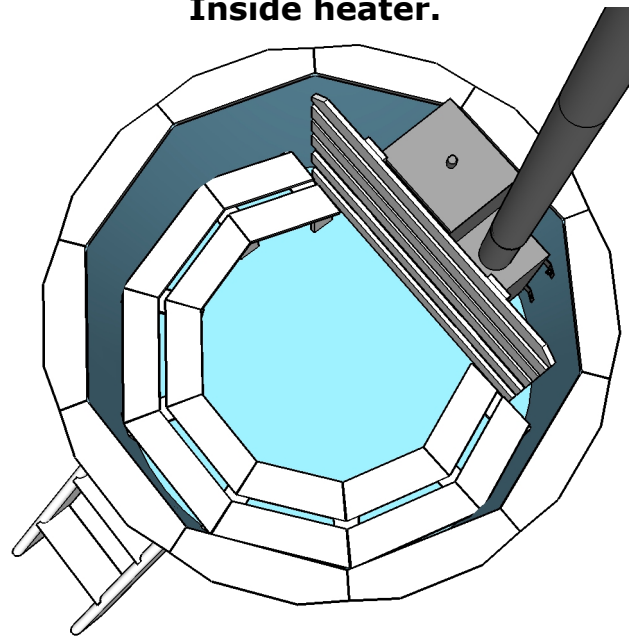
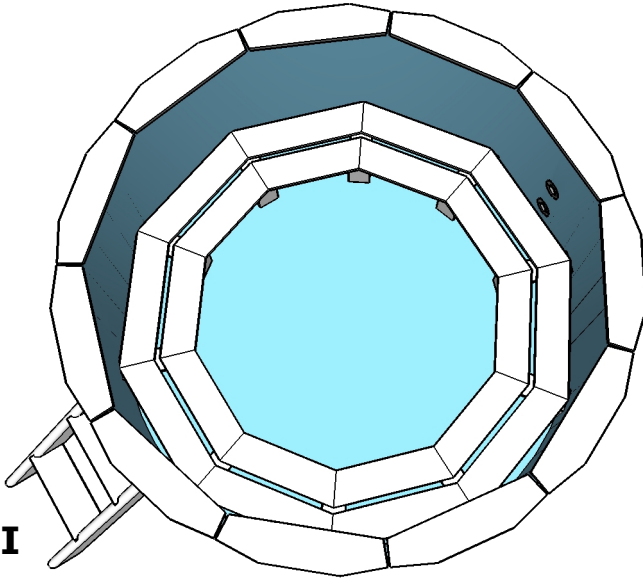
I

**Drill hole Ø3mm
before screw.**

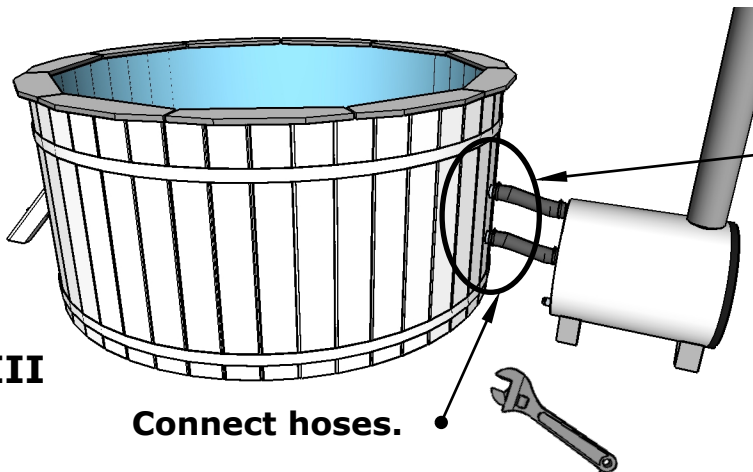


Outside heater.

Inside heater.

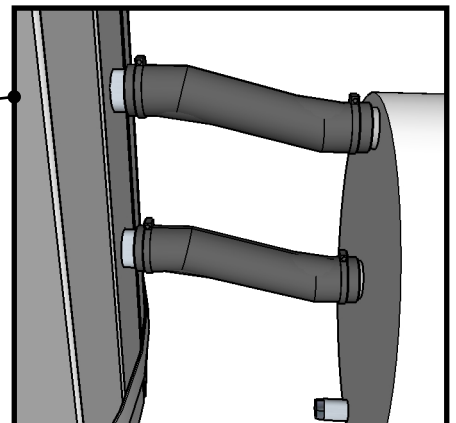


II



III

Connect hoses.



4.